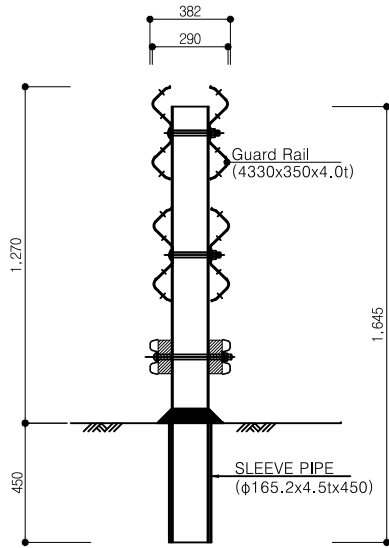
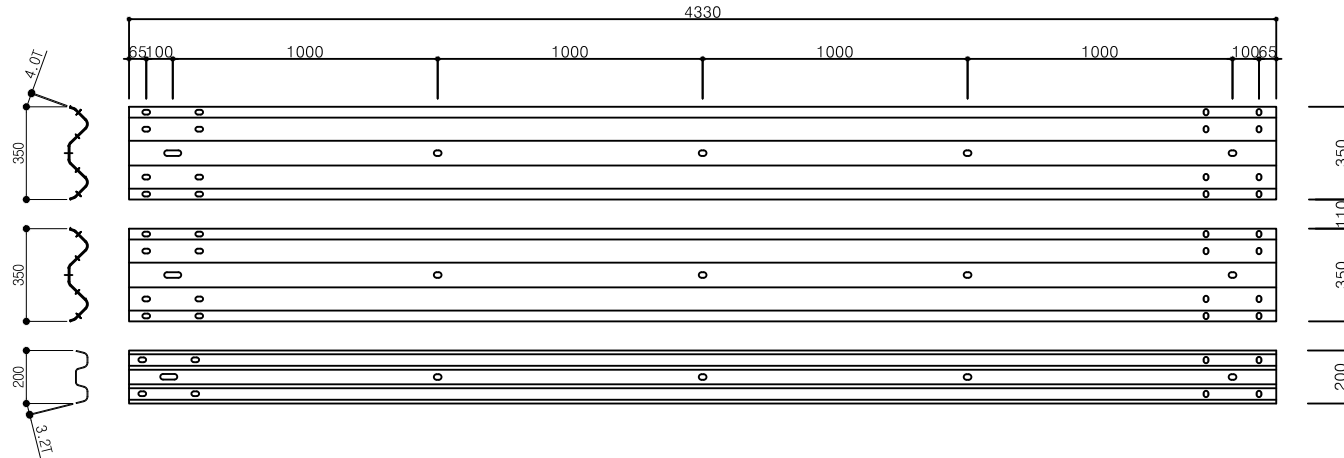


Emergency Opening Median Guard Rail SB5 Class

Sectional view



Guard Rail

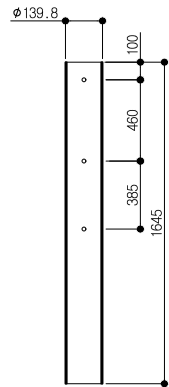


Mounting B/N Mounting B/N

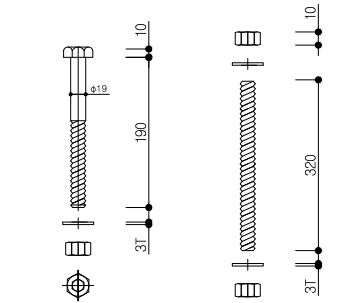
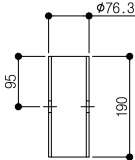
Post cover

Post

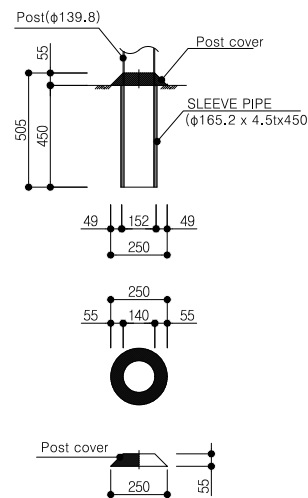
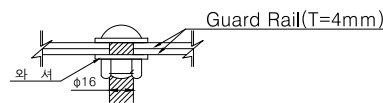
SLEEVE PIPE



Lower-part block out



Connection B/N
S=NONE



Material table

Product Name	Dimension	material	Quantity	Remarks
2W Guard Rail	4.0x350x4,330	KS D 3503 SS275	4	
Post	4.5x139.8x1,645	KS D 3566 SGT275	4	
YC Rail	3.2x200x4,330	KS D 3503 SS275	2	
SLEEVE PIPE	4.5x165.2x450	KS D 3566 SGT275	4	
Post cover	φ139.8		4	
Lower-part block out	φ76.3x190		8	
Mounting B/N	φ19*190		8	
Mounting B/N	φ19*320		4	
Connection B/N	φ16x40		40	
CAP	φ139.8		4	

Drawing

Emergency Opening Median
Guard Rail SB5 Class

SUNGWON
ENC CO., LTD

5, 1st floor, Yeonsudongsan-ro 7-gil, Chungju-si,
Chungcheongbuk-do (Yeonsu-dong)
TEL 043-351-7717 // FAX 0504-038-9103