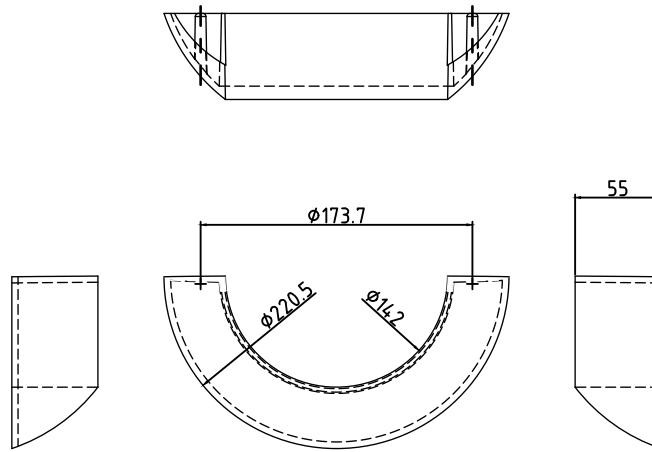



Post cover (Prevention Grass Cap)

For $\phi 139.8$



Drawing		Design		Date	Drawing number	 5, 1st floor, Yeonsudongsan-ro 7-gil, Chungju-si, Chungcheongbuk-do (Yeonsu-dong) T E L 043-351-7717 F A X 0504-038-9103
Project		Drawing		scale		