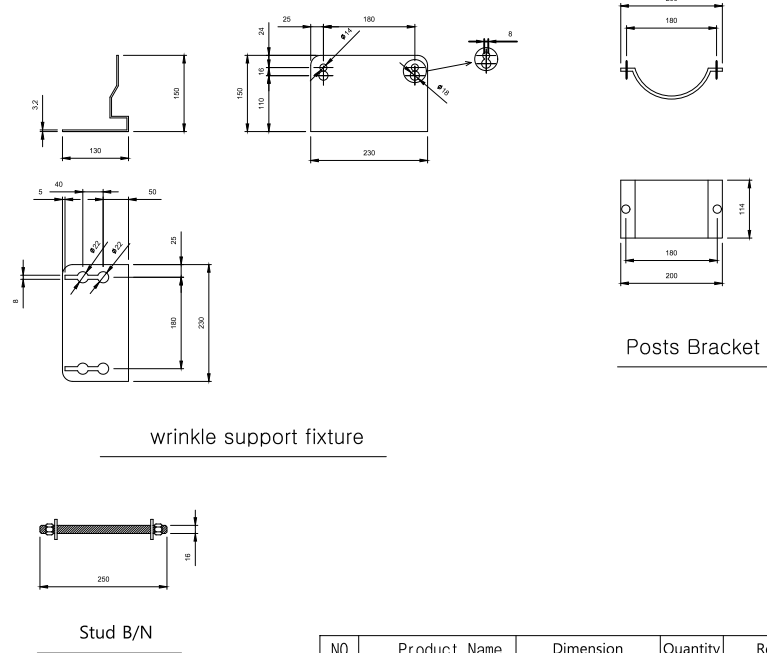
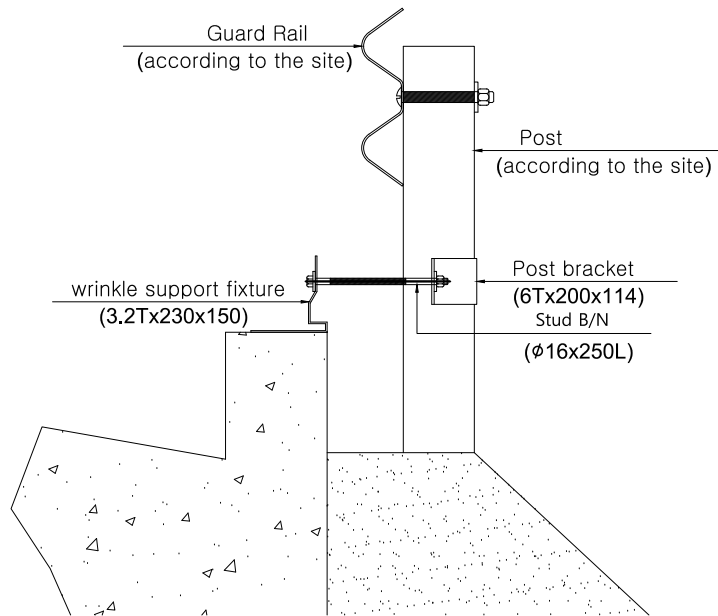


Supplementary Reinforcement Structure (Dyke TYPE)



NO.	Product Name	Dimension	Quantity	Remarks
1	wrinkle support fixture	3.2 X 230 X 150	1	SS400
2	Posts Bracket	6T X 200 X 114	1	SS400
3	Stud B/N	φ16 X 250L	2	
4	Anchor B/N	φ16 X 150	2	

Drawing	Dyke TYPE	Design		Date		Drawing number
Project		Drawing		scale	NON	


 5, 1st floor, Yeonsudongsan-ro 7-gil, Chungju-si,
 Chungcheongbuk-do (Yeonsu-dong)
 T E L 043-351-7717
 F A X 0504-038-9103